

Products description

The WTF-B (100) digital anemometer is a large-scale intelligent wind speed sensing alarm device specially developed for various large-scale mechanical equipment. It uses an advanced microprocessor as the control core and advanced digital communication technology. The system has high stability, strong anti-interference ability and high detection precision. The self-developed wind cup sensor has high mechanical strength and strong wind resistance. The display chassis is novel and unique in design, sturdy and durable, and easy to install and use. All interfaces comply with international standards and are free of commissioning during installation and are suitable for different working environments.

The WTF-B (100) digital anemometer is used to measure instantaneous wind speed and average wind speed, with automatic monitoring, real-time display, over-limit alarm control and other functions.



Function Description

The WTF-B100 Anemometer offers users a very effective and proven solution for monitoring wind speed.

- Real-time monitoring: double-window LED display, real-time display/monitor current wind speed and wind level
- Sound and light alarm: When there is actual working condition parameter will reach the preset limit value, the meter will give an audible and visual alarm prompt. When the preset limit value is reached, a safety control signal is output at the same time as the alarm to ensure construction safety.
- Anti-interference: The hardware and software have strong anti-interference ability to external electromagnetic waves.
- Free debugging: the test is complete before leaving the factory, and the installation can accurately measure the wind speed. Set the corresponding limit value to alarm and control.
- Power-down protection: Data will not be lost when power is suddenly turned off. Can work continuously for a long time.

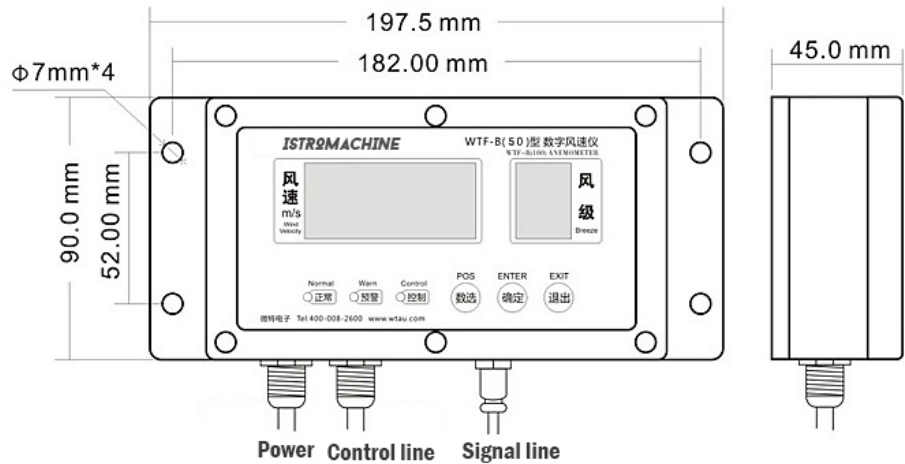


Application

- Tower crane
- Telescopic cranes
- Port cranes
- Rail cranes
- Lattice cranes
- Dock cranes

Technical Parameters

A. WTF-B100 Display

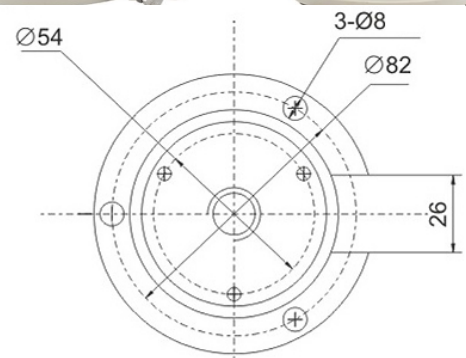


Display Size	197.5mm x 90mm x 45mm
Working Power	AC220V or DC24V (±15%)
Installation	Wall-mounted
Signal Input	Impulse Signal
Alarm volume	>60db
IP Class	IP65
Output signal	TTL Impulse , 4-20 mA , 0 - 5V, RS485
Wind speed display	m/s and Beaufort scale



B. WFS-7 wind speed sensor

Work Power Supply	DC 12V
Signal Output	Impulse Signal
Measure Range	0.8~60.0 m/s
Resolution Rate	0.1m/s
Starting Wind Speed	<0.8m/s
IP Class	IP65
Operating Temperature	-30°C ~ +60°C



Installation

- Fixed by flange and bolt
- Attracted to the equipment by strong magnets