

Multi-Function Rotary Limit Switch



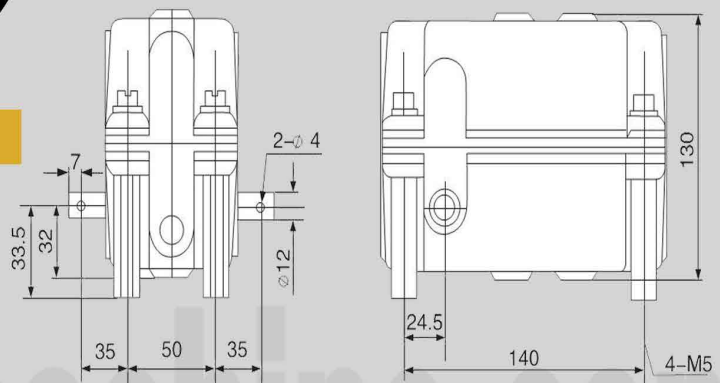
Multi-function Stroke Limiter synchronized with the controlled mechanism is connected with the input shaft of the limiter after being shifted by the external hanging wheel, and is converted into the angular displacement signal of the output shaft by the speed change of the reduce. Multi-Function Stroke Limiter is widely applied to control and limit trilinear coordinates of space of the lifting, transmission in building, port, mining and other industries, Multi-functions Stroke Limiter has many characteristics, like

- strong aluminum die-cast Housing
- Small volume
- many functions
- High precision
- Limit position adjustment
- Strong versatility and convenient maintenance and installation

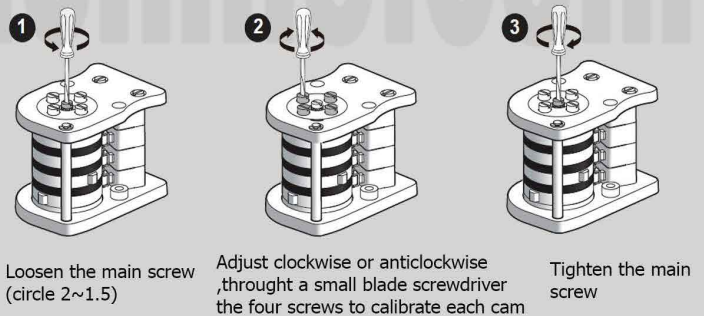
Rotary Limit Switch

Technical Data

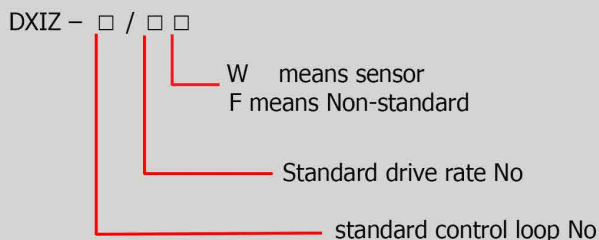
| | | |
|---------------------------------|----------------|--|
| Rating load | | 10A/250VAC |
| Rated Voltage | | AC 220/380V |
| Rated Current | | 6~10A |
| Operating speed | | 1mm-50cm/s |
| Operating frequency | Mechanical | 120times/min |
| | Electrical | 30times/min |
| Insulation resistance | | 100MΩ(Above)DC500V |
| Contact resistance | | 25MΩ(initial value) |
| Withstand voltage | Non-connection | 1000VAC wire |
| | Every terminal | 1500VAC |
| Vibration | Misoperation | 10-55Hz Amplitude 1.5mm |
| Durable Impact | | 1000m/s ² |
| Misoperation | | 300m/s ² |
| Electrical Life | | 100,000above |
| Mechanical | | 1,000,000above |
| Protection degree | | IP65 |
| Operation temperature | | -40°C ~ 55°C |
| Operating humidity | | ≤ 90%RH |
| Repeatable Positioning Accuracy | | Angle Error of Memory Cam ≤0.005 rad (0.3°) |
| Potentiometer of Sensor | | Standard Resistance 5KΩ,Independent Linearity 0.1% Mechanical Turning Angle 360°(continuously) |



Microswitch's system calibration



Model and meaning



Standard Drive Ratio

| Drive Ratio No | 1 | 2 | 3 | 4 | 5 | 6 | 7 | 8 |
|----------------|------|------|------|------|------|-------|-------|-------|
| Drive Ratio | 1:13 | 1:17 | 1:46 | 1:60 | 1:78 | 1:210 | 1:274 | 1:960 |

Non Standard Drive Ratio

| Drive Ratio | 1:20 | 1:26 | 1:30 | 1:35 | 1:87 | 1:105 | 1:135 | 1:140 |
|-------------|-------|-------|-------|-------|-------|-------|-------|-------|
| | 1:160 | 1:188 | 1:247 | 1:330 | 1:360 | 1:453 | 1:480 | 1:660 |

Function of model, specification and quantity according to example as follow

Model 1 : DXIZ - 4/7W
Model 2 : DXIZ-6/F

Limit switch's control loop as 4 drive, Ratio: 1/274; with potentiometer
Limit switch's control loop as 6, Non-standard, drive rate 1:600; without potentiometer