

## Products description

WTF-B200 wind vane anemometer offers users a very effective easy to use solution for monitoring wind speed and wind direction.

A whole set of WTF-B(200) wind vane anemometer includes WTF-B(200) display, WFS-1 wind speed sensor, SC/FX wind direction sensor and cables.

## Function Description

- Automatically detect the signals of wind speed and direction and put into the instrument for micro computer processing.
- Show the preset parameters under different conditions.
- Input parameters and delay jitter has the function of data off electricity keep function.

## Application

- Cranes
- Weather
- Agriculture
- Hydraulic and Hydroelectricity
- Construction
- Education

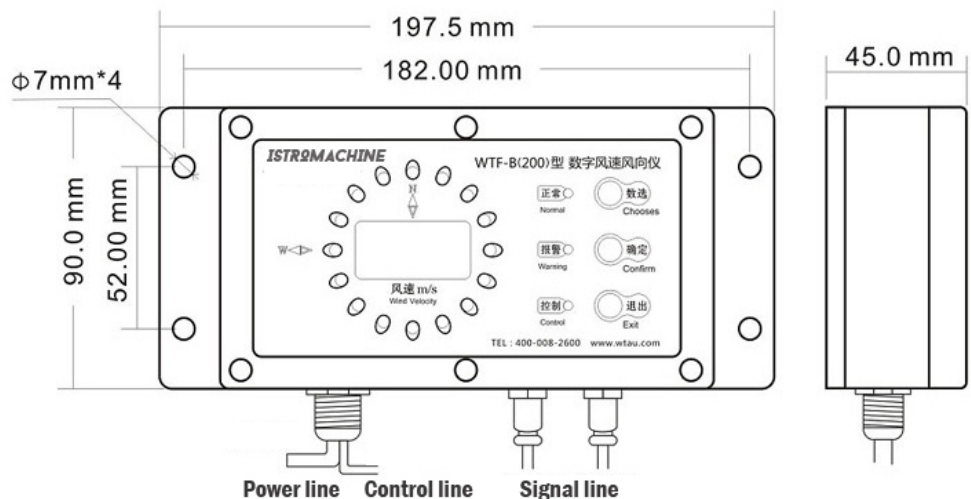
## Installation

- Fixed by flange and bolt
- Attracted to the equipment by strong magnets



## Technical Parameters

### A. WTF-B200 Display

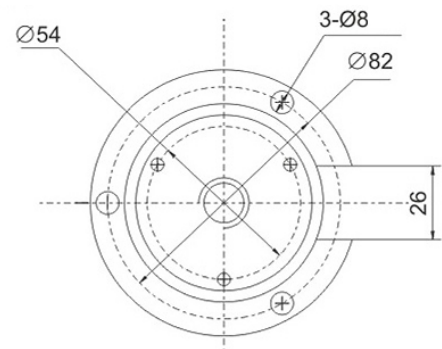


Display Size	197.5mm x 90mm x 45mm
Working Power	AC220V or DC24V (±15%)
Installation	Wall-mounted
Power consumption	<20w
Alarm volume	>60db
IP Class	IP65
output	4 – 20mA
Working temperature	-30 °C~+60°C humidity 90%



## B. WFS-7 wind speed sensor

Work Power Supply	DC 12V
Signal Output	TTL Impulse,4-20mA,0-5V,RS485
Measure Range	0.8~60.0 m/s
Resolution Rate	0.1m/s
Starting Wind Speed	<0.8m/s
IP Class	IP65
Operating Temperature	-30°C~ +60°C



## C. Wind direction sensor

Working voltage	DC 12V ~ 24V
Signal Output	4-20mA, or by request
Starting wind speed	0.5m/s
Range	16 directions (360 degrees)
Resolution Rate	0.1m/s
System error	+/- 3%
IP Class	IP65
Operating Temperature	-20°C~ +80°C



SC/FX wind direction sensor