

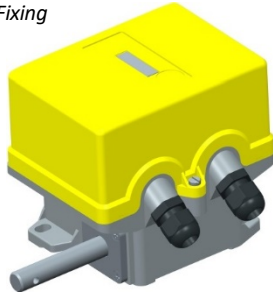
Rotary Gear Limit switches

The Istromachine's rotary gear limit switch is a device used to control the number of rotation or direction angle of industrial and building machines. A typical application is controlling the position of the rolling shutter door or overhead cranes etc. The unit, through a gear system and cams transmission, controls 2, 4 or more microswitches so that after a defined number of revolutions, it can prepare the motor or the device to start or stop running. The microswitches have a calibration screw that operates independently on each cam; so it can calibrate the opening and closing of each micro according the functional requirements needed.

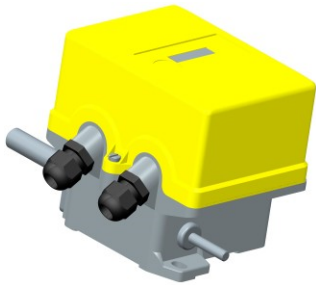
The gear-based transmission system allows you to choose different ratios. It can also be supplied with rear shaft version or complete of linear detector (potentiometer or encoder) too.

Version and options available

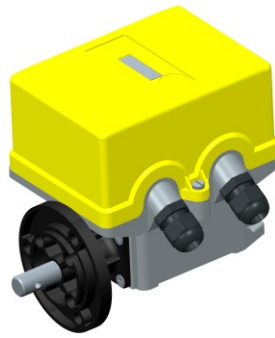
Base Fixing




Rear shaft



Flanged Fixing
(with FLG accessories)



Characteristics

Case	aluminum housing self-extinguishing cover
Ratio	050-100-200
Protection class	IP65
Shaft type	steel mounted on ball bearing
Fixing type	- bottom - front (flanged with FLG accessories)
Microswitch	1NC-1NO changeover fast trigger self-cleaning silver alloy contacts Rated isolation voltage : Ui250V Rated thermal current : 8A  Resistance Load : Ie 8A-250V Ac Inductive Load : Ie 3A-250V Ac Operation temperature : -25°C~ +70°C
Microswitch max n° / notes	max 6 - micrometric adjustment
Cam block	self-lubricating with transparent support for easier cam viewing
Cable entry	M16(max 2) included

Ratio

Single shaft

Rear shaft



050

FGR 1:50

FGR 1:50B

100

FGR 1:100

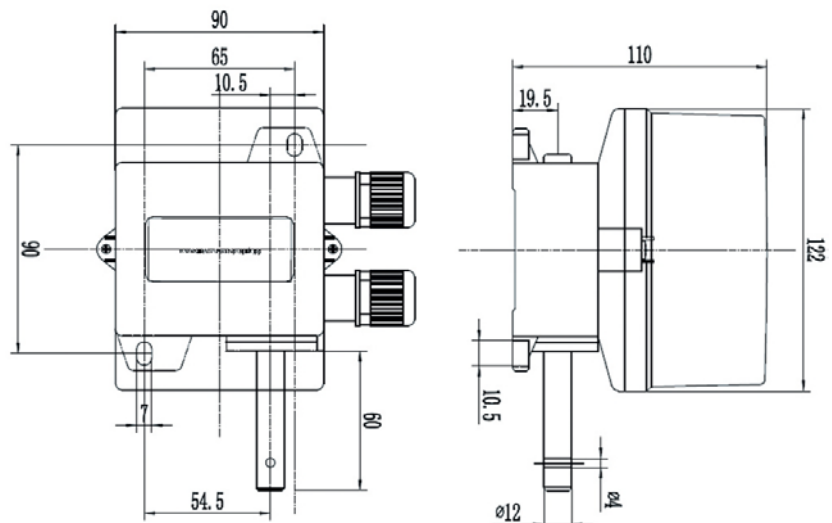
FGR 1:100B

200

FGR 1:200

FGR 1:200B

Dimensions



Microswitch system calibration guide

- I. Loosen the main screw (1)
- II. Adjust the screws (2)
- III. Tighten the main screw (1)

