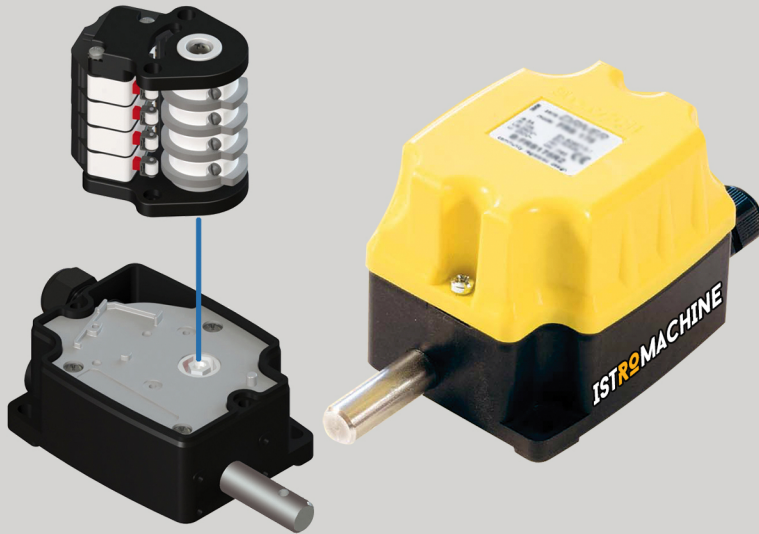


Multi-Function Rotary Limit Switch



FRS Series Rotary Limit Switch

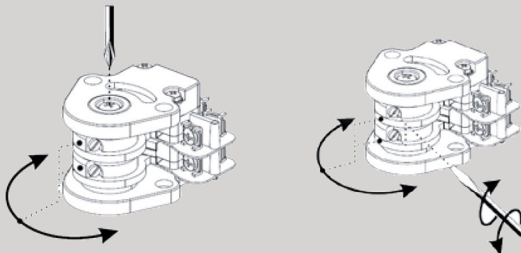
Technical Data

Insulation voltage	~250V
Maximum operating voltage	~250V
Casing	reinforced nylon
Cover	high mechanical and thermal resistant thermoplastic
Operating temperature	C + 60 °C° 20 -
Drive	worm screw
Cable entries	M16 x 1,5
Insulation	according to CEI EN 60947-5-1
Protection degree	IP 65 CEI EN 60529
Protection against contact voltages	double insulation CEI EN 60439-1

Contacts technical features

Microswitch	1NO 1NC rapid deviation and guaranteed opening type R
Homologation	IMQ CA02.03310
Insulating voltage Ui	~ V 250
Test voltage	~ V 2000
Category of usage	AC 15, Ue 250V, Ie 3A
Breaking power	according to EN 60947-5-1:2004
Mechanical lifetime	.30x106 op

Microswitch's system calibration



1. Optional basic regulation

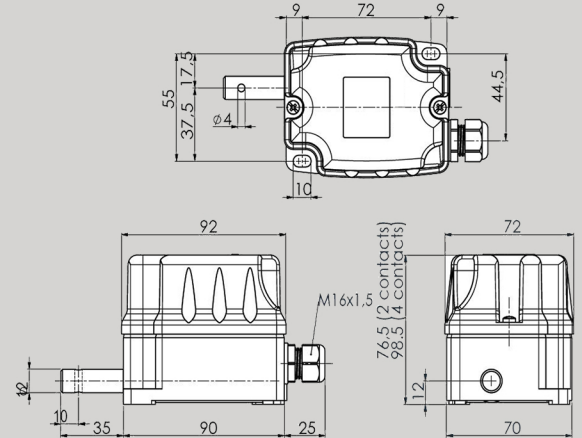
- loosen the upper screw
- rotate the cams manually
- tighten the upper screw

2. Fine regulation

- rotate the regulation screw of each cam
- suggested screwdriver 4,0 x 0,8

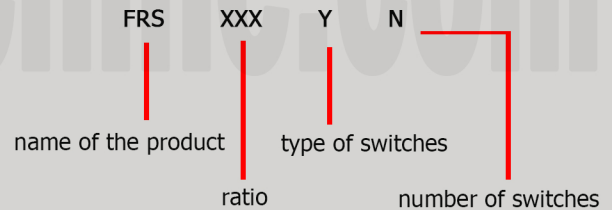
FRS Series rotary limit switch is a device with IP65 protection degree which allows you to control the movement of industrial and building machines. The shaft is connected to the motor, so that after a certain number of turns, the cams make the switches work, and then they can carry out their pre-set manoeuvre. The easy and thorough regulation of the cams allows you to set the rapid trip microswitches working point linearly and micrometrically. The choice of different cam profiles allows you to modify the limit switches function diagram.

Dimensions



Part numbers

part number is composed this way :



Unless other specification, limit switches are supplied with white A cams. for other profiles, add B / C at the end of the part number

Standard ratio

Standard executions have the following reduction ratios:

- 1: 50 turns 2 or 4 contacts
- 1: 100 turns 2 or 4 contacts
- 1: 200 turns 2 or 4 contacts

Standard cams profiles

Type

- | | | | |
|---|--------------|--|-------|
| A | pointed | | white |
| B | sector | | grey |
| C | quarter-turn | | red |