

Conveyor Belt - Pull Rope Switch

Model: IS-RPH-II



instructions

Product function

The safety rope switch is widely used in steel, cement, power plant, mine and other factories with belt conveyor. The product is installed on both sides of the belt conveyor. It is a protective switch for emergency shutdown of belt conveyor. Pull the wire rope at any point within the switch operation distance, cut off the running circuit to stop the whole line, and realize the protection of belt conveyor and personal safety Protect.

When the emergency power-off can be achieved at every place of the machine, equipment or equipment, the safety pull rope switch is required.

The emergency stop switch can be operated by a pretensioned pull rope.

Structural characteristics

The safety pull rope head (manual) has long service life, good sealing, dust-proof, shockproof, anti-corrosion and other advantages; the shell is made of cast aluminum, light weight and strong hardness.

When the emergency power-off can be achieved at every place of the machine, equipment or equipment, the safety pull switch is required. The e-stop switch can be activated by a pre tensioned pull rope. All pull wire break detection switches are available. When pulling the cable or breaking the cable, the normally closed contact must be open and the normally open contact will be closed. The emergency pull wire stop switch can only be restored to the working state through reset operation.

Detailed parameters

Ambient temperature: $-30^{\circ}\text{C} \sim +60^{\circ}\text{C}$

Relative temperature: no more than 85%

Number of contacts: 1 n.o.1 N.C

Contact capacity: 24 ~ 380V AC / DC current: 1:5a

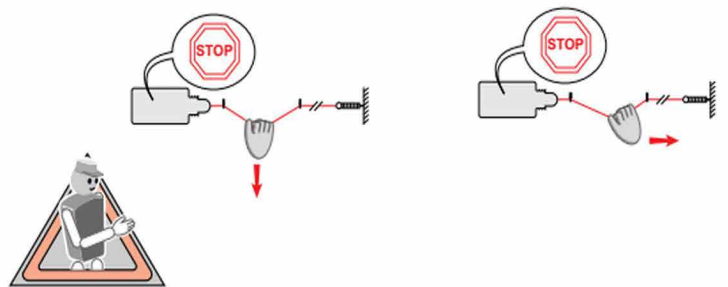
Action force: 10kg

Reference weight: 0.4KG

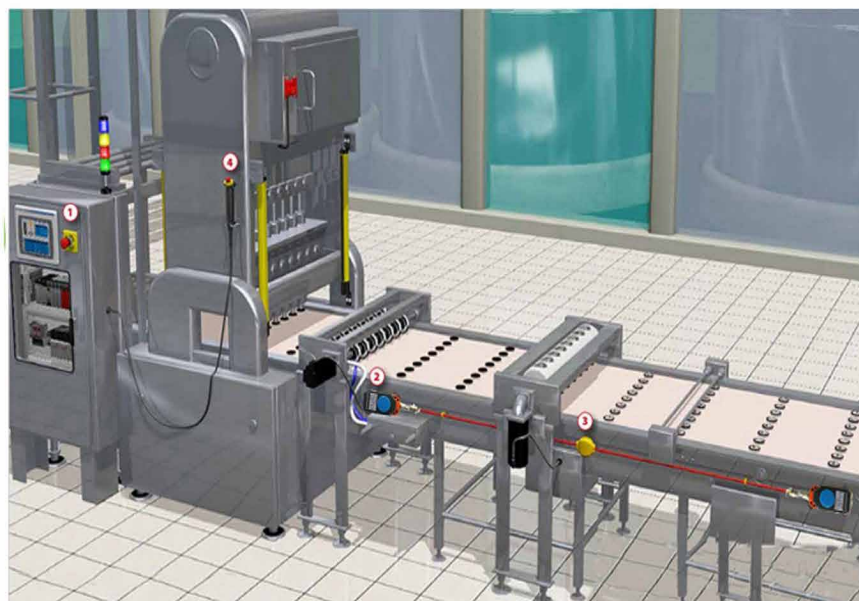
Reliability: > 106 times

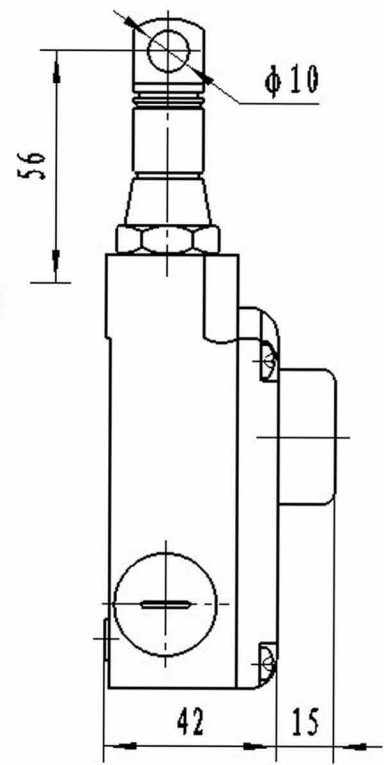
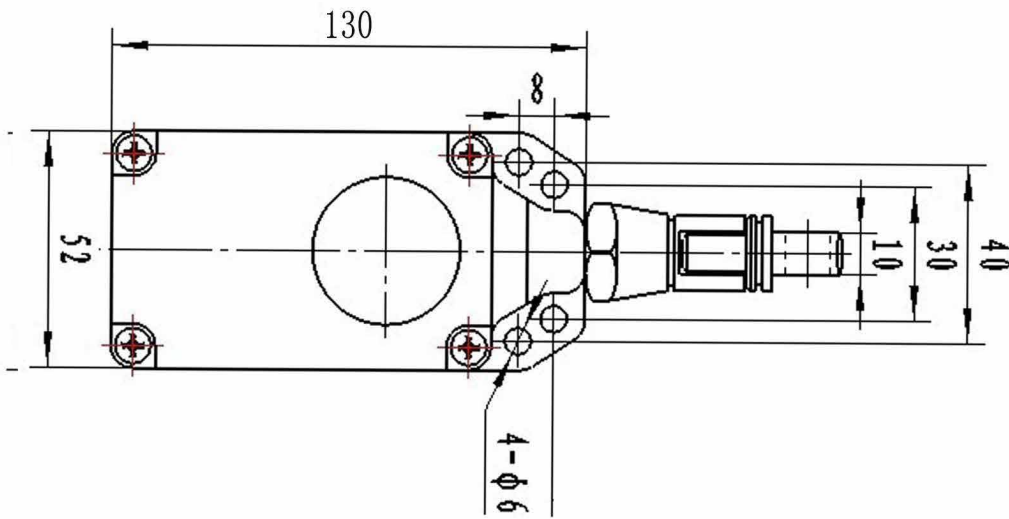
Protection grade: IP65

Action mode: automatic reset

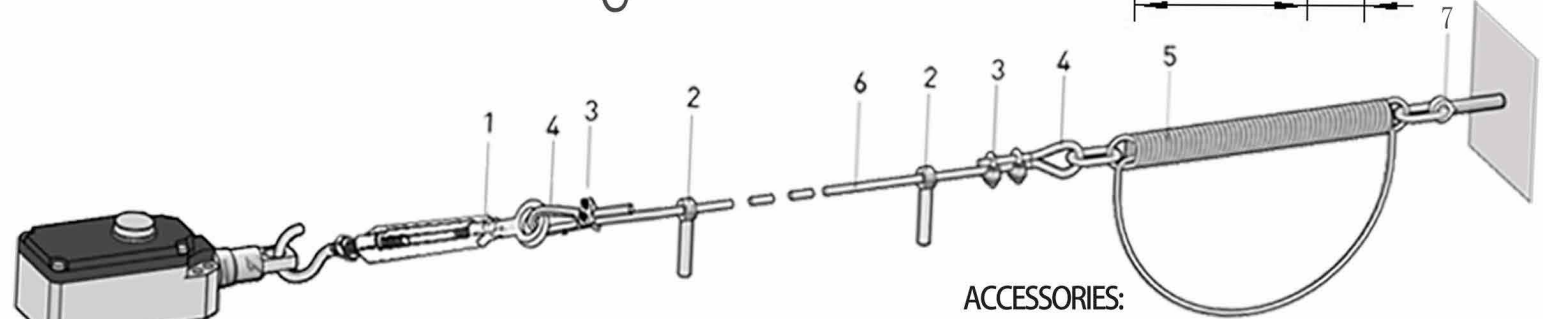


- ③ — ④ Normally open contact
- ① — ② Normally closed contact
- ③ — ④ Normally open contact
- ① — ② Normally closed contact



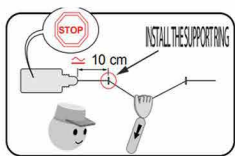
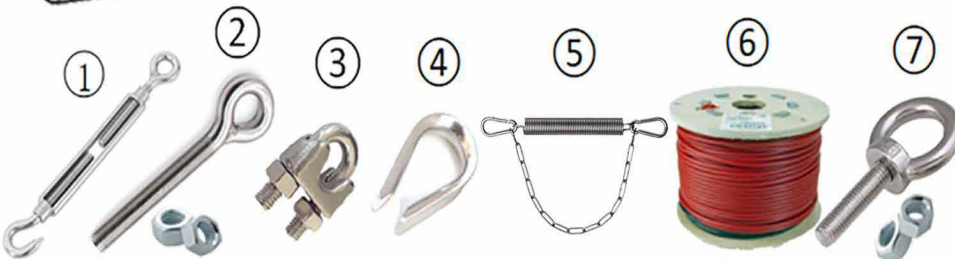


installation diagram:



ACCESSORIES:

- 1 ELASTIC ADJUSTING ELEMENT
- 2 SUPPORTING RING
- 3 ROPE CLIP
- 4 STEEL ROPE RING
- 5 SPRING
- 6 RED ϕ 4MM STEEL WIRE ROPE
- 7 FIXED SCREW



IT CAN BE INSTALLED AT THE END

